

SXG SERIES
UPGRADE
105°C Miniaturized, Overvoltage Vent Operation Facility, Snap-in Terminal Type

◆ FEATURES

- Load Life : 105°C 2000 hours.
- This series has specification of vent operation in overvoltage situation. Please consult us for any further details
- Smaller size than SXC series.
- RoHS compliance.

◆ SPECIFICATIONS

Items	Characteristics						
Category Temperature Range	-25 ~ +105°C						
Rated Voltage Range	200, 400, 450V.DC						
Capacitance Tolerance	± 20%(20°C, 120Hz)						
Leakage Current(MAX)	$I=3\sqrt{CV}$ (After 5 minutes application of rated voltage) I=Leakage Current(µA) V=Rated Voltage(V) C=Rated Capacitance(µF)						
Dissipation Factor(MAX) (tanδ)	<table border="1"> <tr> <td>Rated Voltage(V)</td> <td>200,400</td> <td>450</td> </tr> <tr> <td>tanδ</td> <td>0.15</td> <td>0.20</td> </tr> </table> (20°C, 120Hz)	Rated Voltage(V)	200,400	450	tanδ	0.15	0.20
Rated Voltage(V)	200,400	450					
tanδ	0.15	0.20					
Impedance Ratio(MAX)	<table border="1"> <tr> <td>Rated Voltage(V)</td> <td>200</td> <td>400,450</td> </tr> <tr> <td>Z(-25°C)/Z(20°C)</td> <td>3</td> <td>8</td> </tr> </table> (120Hz)	Rated Voltage(V)	200	400,450	Z(-25°C)/Z(20°C)	3	8
Rated Voltage(V)	200	400,450					
Z(-25°C)/Z(20°C)	3	8					
Endurance	After applying rated voltage with rated ripple current for 2000 hrs at 105°C, the capacitors shall meet the following requirements. <table border="1"> <tr> <td>Capacitance Change</td> <td>Within ± 20% of the initial value.</td> </tr> <tr> <td>Dissipation Factor</td> <td>Not more than 200% of the specified value.</td> </tr> <tr> <td>Leakage Current</td> <td>Not more than the specified value.</td> </tr> </table>	Capacitance Change	Within ± 20% of the initial value.	Dissipation Factor	Not more than 200% of the specified value.	Leakage Current	Not more than the specified value.
Capacitance Change	Within ± 20% of the initial value.						
Dissipation Factor	Not more than 200% of the specified value.						
Leakage Current	Not more than the specified value.						

◆ MULTIPLIER FOR RIPPLE CURRENT

Frequency coefficient

Frequency(Hz)	60 (50)	120	500	1k	10k ≤
Coefficient	0.77	1.00	1.17	1.22	1.40

◆ PART NUMBER

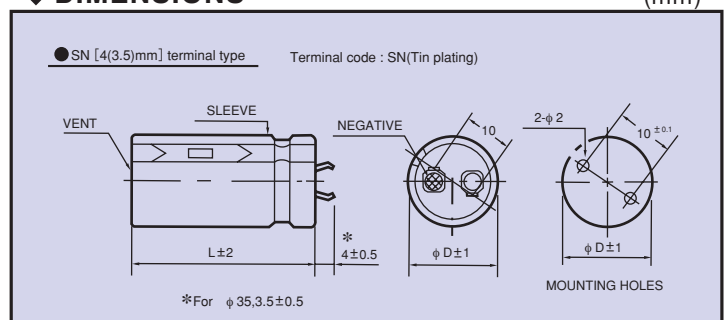
□□□	SXG	□□□□□	□	□□□	SN	D×L
Rated Voltage	Series	Rated Capacitance	Capacitance Tolerance	Option	Terminal Code	Case Size

◆ Option

	Code
PET Sleeve without plate	EFC
PVC Sleeve without plate	OOE
PVC Sleeve with plate	Blank

◆ DIMENSIONS

(mm)



◆ STANDARD SIZE

Cap (μ F)	WV		200							
	ϕ D		ϕ 20		ϕ 22		ϕ 25		ϕ 30	
150			20x20	0.66						
180			20x25	0.82	22x20	0.80				
220			20x25	0.95	22x25	1.00	25x20	0.87		
270			20x30	1.10	22x25	1.10	25x20	0.95		
330			20x35	1.20	22x30	1.25	25x25	1.20	30x20	1.15
390			20x40	1.31	22x30	1.31	25x25	1.31	30x20	1.25
470					22x35	1.45	25x30	1.45	30x25	1.45
560					22x40	1.60	25x30	1.60	30x25	1.60
680							25x35	1.78	30x30	1.78
820							25x40	1.95	30x35	2.11
1000									30x35	2.40
1200									30x40	2.65

Cap (μ F)	WV		400									
	ϕ D		ϕ 20		ϕ 22		ϕ 25		ϕ 30		ϕ 35	
39			20x20	0.34								
47			20x20	0.40								
56			20x25	0.45	22x20	0.40						
68			20x25	0.49	22x25	0.52	25x20	0.49				
82			20x30	0.64	22x25	0.64	25x20	0.60				
100			20x35	0.70	22x30	0.70	25x25	0.70	30x20	0.60		
120			20x40	0.75	22x30	0.75	25x25	0.75	30x20	0.70		
150					22x35	0.88	25x30	0.88	30x25	0.85	35x20	0.80
180					22x40	0.95	25x30	0.95	30x25	0.95	35x25	0.95
220							25x35	1.10	30x30	1.10	35x25	1.10
270							25x40	1.22	30x30	1.22	35x25	1.22
330									30x35	1.44	35x30	1.44
390									30x40	1.55	35x35	1.60
470											35x40	1.90

Cap (μ F)	WV		450							
	ϕ D		ϕ 22		ϕ 25		ϕ 30		ϕ 35	
47			22x25	0.35						
56			22x25	0.44						
68			22x30	0.53	25x25	0.53				
82			22x35	0.64	25x25	0.64				
100			22x40	0.69	25x30	0.69	30x25	0.69		
120			22x45	0.75	25x35	0.75	30x25	0.75		
150			22x50	0.88	25x40	0.88	30x30	0.88	35x25	0.80
180					25x45	0.98	30x30	0.98	35x25	0.98
220					25x50	1.10	30x35	1.10	35x30	1.10
270							30x40	1.28	35x35	1.28
330							30x50	1.45	35x40	1.45
390									35x40	1.60
470									35x50	1.85

↑ Ripple Current
 (A r.m.s./120Hz, 105°C)
 ↑ Case Size ϕ D x L (mm)