

**SXR SERIES**
**105°C, Overvoltage Vent Operation Facility,  
Snap-in Terminal Type**
**◆ FEATURES**

- Load Life : 105°C 2000 hours.
- This series has specification of vent operation in overvoltage situation. Please consult us for any further details.
- RoHS compliance.


**◆ SPECIFICATIONS**

Items	Characteristics						
Category Temperature Range	-25 ~ +105°C						
Rated Voltage Range	250, 450V.DC						
Capacitance Tolerance	±20%(20°C, 120Hz)						
Leakage Current(MAX)	$I=3\sqrt{CV}$ (After 5 minutes application of rated voltage) $I$ =Leakage Current(µA) $V$ =Rated Voltage(V) $C$ =Rated Capacitance(µF)						
Dissipation Factor(MAX) (tanδ)	0.20(20°C, 120Hz)						
Impedance Ratio(MAX)	<table border="1"> <tr> <td>Rated Voltage(V)</td> <td>250</td> <td>450</td> </tr> <tr> <td>Z(-25°C)/Z(20°C)</td> <td>3</td> <td>8</td> </tr> </table> (120Hz)	Rated Voltage(V)	250	450	Z(-25°C)/Z(20°C)	3	8
Rated Voltage(V)	250	450					
Z(-25°C)/Z(20°C)	3	8					
Endurance	After applying rated voltage with rated ripple current for 2000hrs at 105°C, the capacitors shall meet the following requirements. <table border="1"> <tr> <td>Capacitance Change</td> <td>Within ±20% of the initial value.</td> </tr> <tr> <td>Dissipation Factor</td> <td>Not more than 200% of the specified value.</td> </tr> <tr> <td>Leakage Current</td> <td>Not more than the specified value.</td> </tr> </table>	Capacitance Change	Within ±20% of the initial value.	Dissipation Factor	Not more than 200% of the specified value.	Leakage Current	Not more than the specified value.
Capacitance Change	Within ±20% of the initial value.						
Dissipation Factor	Not more than 200% of the specified value.						
Leakage Current	Not more than the specified value.						

**◆ MULTIPLIER FOR RIPPLE CURRENT**

Frequency coefficient

(Hz)Frequency	60(50)	120	500	1k	10k ≦
Coefficient 250WV	0.80	1.00	1.10	1.14	1.18
450WV	0.80	1.00	1.05	1.10	1.15

**◆ PART NUMBER**

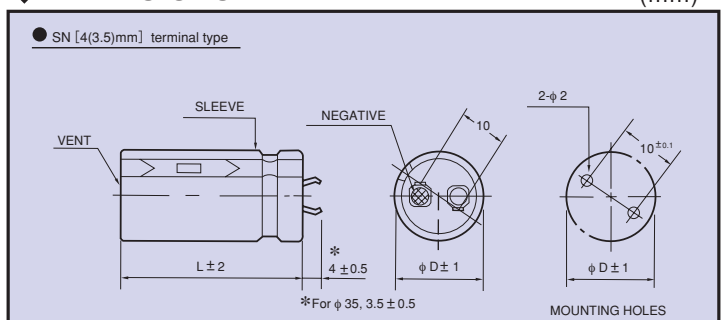
□□□	SXR	□□□□□	□	□□□	SN	D×L
Rated Voltage	Series	Rated Capacitance	Capacitance Tolerance	Option	Terminal Code	Case Size

**◆ Option**

	Code
PET Sleeve without plate	EFC
PVC Sleeve without plate	OOE
PVC Sleeve with plate	Blank

**◆ DIMENSIONS**

(mm)



**◆ STANDARD SIZE**

Cap(μF)	WV		250									
	φ	D	φ 22		φ 25		φ 30		φ 35			
120	22	25	0.66									
150	22	30	0.76									
180	22	30	0.84	25	25	0.85						
220	22	35	0.98	25	30	1.00						
270	22	40	1.11	25	35	1.15	30	25	1.15			
330	22	45	1.26	25	40	1.28	30	30	1.32			
390	22	50	1.41	25	45	1.43	30	30	1.50			
470				25	50	1.62	30	35	1.62			
560							30	40	1.85	35	30	1.84
680							30	45	2.10	35	35	2.09
820							30	50	2.37	35	40	2.34
1000										35	45	2.60

Cap(μF)	WV		450									
	φ	D	φ 22		φ 25		φ 30		φ 35			
39	22	25	0.33									
47	22	30	0.37	25	25	0.38						
56	22	35	0.45	25	30	0.44						
68	22	40	0.51	25	30	0.51						
82	22	45	0.57	25	35	0.57	30	25	0.58			
100	22	50	0.64	25	40	0.63	30	30	0.65			
120				25	50	0.72	30	35	0.72			
150							30	40	0.76	35	30	0.76
180							30	45	0.89	35	35	0.89
220							30	50	1.00	35	40	1.05
270										35	45	1.20

↑ Ripple Current (A r.m.s./120Hz, 105°C)  
 ↑ Case Size φ D×L(mm)