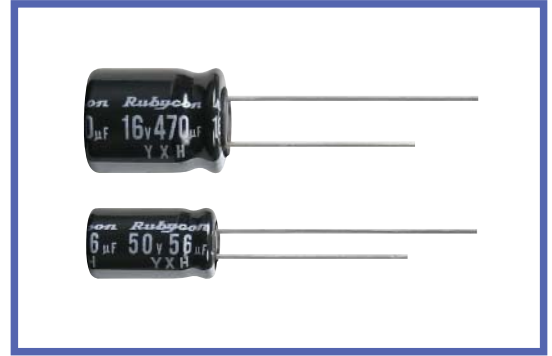


**YXH SERIES**
**105°C High ripple current. Long Life.**
**◆ FEATURES**

- Low impedance at 100kHz with selected materials.
- Load Life : 105°C 4000~10000hours.
- RoHS compliance.


**◆ SPECIFICATIONS**

Items	Characteristics																											
Category Temperature Range	-40 ~ +105°C																											
Rated Voltage Range	6.3~100V.DC																											
Capacitance Tolerance	± 20%(20°C, 120Hz)																											
Leakage Current(MAX)	I=0.01CV or 3µA whichever is greater. (After 2 minutes) I=Leakage Current(µA)    C=Rated Capacitance(µF)    V=Rated Voltage(V)																											
Dissipation Factor(MAX) (tanδ)	<table border="1"> <thead> <tr> <th>Rated Voltage (V)</th> <th>6.3</th> <th>10</th> <th>16</th> <th>25</th> <th>35</th> <th>50</th> <th>63</th> <th>100</th> </tr> </thead> <tbody> <tr> <td>tanδ</td> <td>0.22</td> <td>0.19</td> <td>0.16</td> <td>0.14</td> <td>0.12</td> <td>0.10</td> <td>0.09</td> <td>0.08</td> </tr> </tbody> </table> (20°C, 120Hz) When rated capacitance is over 1000µF, tanδ shall be added 0.02 to the listed value with increase of every 1000µF.	Rated Voltage (V)	6.3	10	16	25	35	50	63	100	tanδ	0.22	0.19	0.16	0.14	0.12	0.10	0.09	0.08									
Rated Voltage (V)	6.3	10	16	25	35	50	63	100																				
tanδ	0.22	0.19	0.16	0.14	0.12	0.10	0.09	0.08																				
Endurance	After life test with rated ripple current at conditions stated in the table below, the capacitors shall meet the following requirements. <table border="1"> <thead> <tr> <th rowspan="2">Capacitance Change</th> <th colspan="2">Within ±25% of the initial value.</th> </tr> </thead> <tbody> <tr> <td>Dissipation Factor</td> <td colspan="2">Not more than 200% of the specified value.</td> </tr> <tr> <td>Leakage Current</td> <td colspan="2">Not more than the specified value.</td> </tr> </tbody> </table> <table border="1"> <thead> <tr> <th rowspan="2">Case Size</th> <th colspan="2">Life Time (hrs)</th> </tr> </thead> <tbody> <tr> <td></td> <td>6.3~10WV</td> <td>16~100WV</td> </tr> <tr> <td>φ D ≤ 6.3</td> <td>4000</td> <td>5000</td> </tr> <tr> <td>φ D = 8, 10</td> <td>6000</td> <td>7000</td> </tr> <tr> <td>φ D ≥ 12.5</td> <td>8000</td> <td>10000</td> </tr> </tbody> </table>	Capacitance Change	Within ±25% of the initial value.		Dissipation Factor	Not more than 200% of the specified value.		Leakage Current	Not more than the specified value.		Case Size	Life Time (hrs)			6.3~10WV	16~100WV	φ D ≤ 6.3	4000	5000	φ D = 8, 10	6000	7000	φ D ≥ 12.5	8000	10000			
Capacitance Change	Within ±25% of the initial value.																											
	Dissipation Factor	Not more than 200% of the specified value.																										
Leakage Current	Not more than the specified value.																											
Case Size	Life Time (hrs)																											
		6.3~10WV	16~100WV																									
φ D ≤ 6.3	4000	5000																										
φ D = 8, 10	6000	7000																										
φ D ≥ 12.5	8000	10000																										
Low Temperature Stability Impedance Ratio(MAX)	<table border="1"> <thead> <tr> <th>Rated Voltage (V)</th> <th>6.3</th> <th>10</th> <th>16</th> <th>25</th> <th>35</th> <th>50</th> <th>63</th> <th>100</th> </tr> </thead> <tbody> <tr> <td>Z(-25°C)/Z(20°C)</td> <td>4</td> <td>3</td> <td>2</td> <td>2</td> <td>2</td> <td>2</td> <td>2</td> <td>2</td> </tr> <tr> <td>Z(-40°C)/Z(20°C)</td> <td>8</td> <td>6</td> <td>4</td> <td>3</td> <td>3</td> <td>3</td> <td>3</td> <td>3</td> </tr> </tbody> </table> (120Hz)	Rated Voltage (V)	6.3	10	16	25	35	50	63	100	Z(-25°C)/Z(20°C)	4	3	2	2	2	2	2	2	Z(-40°C)/Z(20°C)	8	6	4	3	3	3	3	3
Rated Voltage (V)	6.3	10	16	25	35	50	63	100																				
Z(-25°C)/Z(20°C)	4	3	2	2	2	2	2	2																				
Z(-40°C)/Z(20°C)	8	6	4	3	3	3	3	3																				

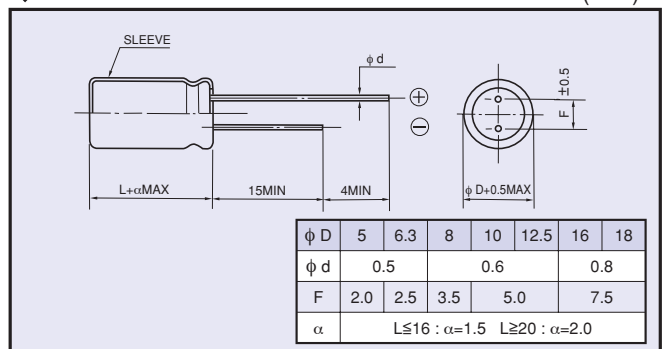
**◆ MULTIPLIER FOR RIPPLE CURRENT**

Frequency coefficient

Frequency (Hz)	120	1k	10k	100k ≤
6.8~33µF	0.42	0.70	0.90	1.00
39~270µF	0.50	0.73	0.92	1.00
330~680µF	0.55	0.77	0.94	1.00
820~1800µF	0.60	0.80	0.96	1.00
2200~18000µF	0.70	0.85	0.98	1.00

**◆ DIMENSIONS**

(mm)


**◆ PART NUMBER**

□□□	YXH	□□□□□	□	□□□	□□	DxL
Rated Voltage	Series	Rated Capacitance	Capacitance Tolerance	Option	Lead Forming	Case Size

**◆ TANDARD SIZE**

Rated Voltage (V·DC)	Rated capacitance (μF)	Size φ D×L(mm)	Rated ripple current (mA r.m.s./105°C, 100kHz)	Impedance(Ω MAX)	
				20°C, 100kHz	-10°C, 100kHz
6.3 (0J)	150	5×11	210	0.58	2.3
	330	6.3×11	340	0.22	0.87
	680	8×11.5	640	0.13	0.52
	820	10×12.5	865	0.080	0.32
	1000	8×16	840	0.087	0.35
	1200	8×20	1050	0.069	0.27
	1200	10×16	1210	0.060	0.24
	1500	10×20	1400	0.046	0.18
	1800	12.5×16	1450	0.049	0.16
	2200	10×23	1650	0.042	0.17
	2700	10×28	1910	0.031	0.12
	2700	16×16	1940	0.042	0.12
	3300	12.5×20	1900	0.035	0.12
	3900	12.5×25	2230	0.027	0.089
	3900	18×16	2210	0.043	0.11
	4700	12.5×30	2650	0.024	0.078
	5600	12.5×35	2880	0.020	0.065
	5600	16×20	2530	0.027	0.078
	6800	12.5×40	3350	0.017	0.056
	6800	16×25	2930	0.021	0.060
	6800	18×20	2860	0.026	0.067
	8200	16×31.5	3450	0.017	0.050
	10000	16×35.5	3610	0.015	0.044
	10000	18×25	3140	0.019	0.049
12000	16×40	4080	0.013	0.038	
12000	18×31.5	4170	0.015	0.040	
15000	18×35.5	4220	0.014	0.038	
18000	18×40	4280	0.012	0.032	
10 (1A)	100	5×11	210	0.58	2.3
	220	6.3×11	340	0.22	0.87
	470	8×11.5	640	0.13	0.52
	680	8×16	840	0.087	0.35
	680	10×12.5	865	0.080	0.32
	1000	8×20	1050	0.069	0.27
	1000	10×16	1210	0.060	0.24
	1200	10×20	1400	0.046	0.18
	1500	10×23	1650	0.042	0.17
	1500	12.5×16	1450	0.049	0.16
	2200	10×28	1910	0.031	0.12
	2200	12.5×20	1900	0.035	0.12
	2200	16×16	1940	0.042	0.12
	2700	18×16	2210	0.043	0.11
	3300	12.5×25	2230	0.027	0.089
	3900	12.5×30	2650	0.024	0.078
	3900	16×20	2530	0.027	0.078
	4700	12.5×35	2880	0.020	0.065
	5600	12.5×40	3350	0.017	0.056
	5600	16×25	2930	0.021	0.060
	5600	18×20	2860	0.026	0.067
	6800	16×31.5	3450	0.017	0.050
	6800	18×25	3140	0.019	0.049
	8200	16×35.5	3610	0.015	0.044
8200	18×31.5	4170	0.015	0.040	
10000	16×40	4080	0.013	0.038	
10000	18×35.5	4220	0.014	0.038	
12000	18×40	4280	0.012	0.032	

**◆ STANDARD SIZE**

Rated Voltage (V·DC)	Rated capacitance (μF)	Size φ D×L(mm)	Rated ripple current (mA r.m.s./105°C, 100kHz)	Impedance(Ω MAX)	
				20°C, 100kHz	-10°C, 100kHz
16 (1C)	56	5×11	210	0.58	2.3
	120	6.3×11	340	0.22	0.87
	330	8×11.5	640	0.13	0.52
	470	8×16	840	0.087	0.35
	470	10×12.5	865	0.080	0.32
	680	8×20	1050	0.069	0.27
	680	10×16	1210	0.060	0.24
	1000	10×20	1400	0.046	0.18
	1000	12.5×16	1450	0.049	0.16
	1200	10×23	1650	0.042	0.17
	1500	10×28	1910	0.031	0.12
	1500	12.5×20	1900	0.035	0.12
	1500	16×16	1940	0.042	0.12
	2200	12.5×25	2230	0.027	0.089
	2200	18×16	2210	0.043	0.11
	2700	12.5×30	2650	0.024	0.078
	2700	16×20	2530	0.027	0.078
	3300	12.5×35	2880	0.020	0.065
	3900	12.5×40	3350	0.017	0.056
	3900	16×25	2930	0.021	0.060
	3900	18×20	2860	0.026	0.067
	4700	16×31.5	3450	0.017	0.050
	4700	18×25	3140	0.019	0.049
	5600	16×35.5	3610	0.015	0.044
5600	18×31.5	4170	0.015	0.040	
6800	16×40	4080	0.013	0.038	
8200	18×35.5	4220	0.014	0.038	
10000	18×40	4280	0.012	0.032	
25 (1E)	47	5×11	210	0.58	2.3
	100	6.3×11	340	0.22	0.87
	220	8×11.5	640	0.13	0.52
	330	8×16	840	0.087	0.35
	330	10×12.5	865	0.080	0.32
	470	8×20	1050	0.069	0.27
	470	10×16	1210	0.060	0.24
	680	10×20	1400	0.046	0.18
	680	12.5×16	1450	0.049	0.16
	820	10×23	1650	0.042	0.17
	1000	10×28	1910	0.031	0.12
	1000	12.5×20	1900	0.035	0.12
	1000	16×16	1940	0.042	0.12
	1200	18×16	2210	0.043	0.11
	1500	12.5×25	2230	0.027	0.089
	1800	12.5×30	2650	0.024	0.078
	1800	16×20	2530	0.027	0.078
	2200	12.5×35	2880	0.020	0.065
	2200	18×20	2860	0.026	0.067
	2700	12.5×40	3350	0.017	0.056
	2700	16×25	2930	0.021	0.060
	3300	16×31.5	3450	0.017	0.050
	3300	18×25	3140	0.019	0.049
	3900	16×35.5	3610	0.015	0.044
3900	18×31.5	4170	0.015	0.040	
4700	16×40	4080	0.013	0.038	
4700	18×35.5	4220	0.014	0.038	
5600	18×40	4280	0.012	0.032	

**◆ STANDARD SIZE**

Rated Voltage (V·DC)	Rated capacitance (μF)	Size φ D×L(mm)	Rated ripple current (mA r.m.s./105°C, 100kHz)	Impedance(Ω MAX)	
				20°C, 100kHz	-10°C, 100kHz
35 (1V)	33	5×11	210	0.58	2.3
	56	6.3×11	340	0.22	0.87
	150	8×11.5	640	0.13	0.52
	220	8×16	840	0.087	0.35
	220	10×12.5	865	0.080	0.32
	270	8×20	1050	0.069	0.27
	330	10×16	1210	0.060	0.24
	470	10×20	1400	0.046	0.18
	470	12.5×16	1450	0.049	0.16
	560	10×23	1650	0.042	0.17
	680	10×28	1910	0.031	0.12
	680	12.5×20	1900	0.035	0.12
	680	16×16	1940	0.042	0.12
	1000	12.5×25	2230	0.027	0.089
	1000	18×16	2210	0.043	0.11
	1200	12.5×30	2650	0.024	0.078
	1200	16×20	2530	0.027	0.078
	1500	12.5×35	2880	0.020	0.065
	1800	12.5×40	3350	0.017	0.056
	1800	16×25	2930	0.021	0.060
	1800	18×20	2860	0.026	0.067
	2200	16×31.5	3450	0.017	0.050
	2200	18×25	3140	0.019	0.049
	2700	16×35.5	3610	0.015	0.044
2700	18×31.5	4170	0.015	0.040	
3300	16×40	4080	0.013	0.038	
3300	18×35.5	4220	0.014	0.038	
3900	18×40	4280	0.012	0.032	
50 (1H)	22	5×11	180	0.70	2.8
	56	6.3×11	295	0.30	1.2
	100	8×11.5	555	0.17	0.68
	120	8×16	730	0.12	0.48
	150	10×12.5	760	0.12	0.48
	180	8×20	910	0.091	0.36
	220	10×16	1050	0.084	0.34
	270	10×20	1220	0.060	0.24
	270	12.5×16	1260	0.061	0.20
	330	10×23	1440	0.055	0.22
	470	10×28	1690	0.043	0.17
	470	12.5×20	1660	0.045	0.15
	470	16×16	1690	0.055	0.17
	560	12.5×25	1950	0.034	0.11
	560	18×16	1930	0.054	0.15
	680	12.5×30	2310	0.030	0.10
	820	12.5×35	2510	0.025	0.083
	820	16×20	2210	0.034	0.10
	1000	12.5×40	2920	0.021	0.069
	1000	16×25	2555	0.025	0.075
	1000	18×20	2490	0.036	0.097
	1200	16×31.5	3010	0.022	0.066
	1200	18×25	2740	0.026	0.070
	1500	16×35.5	3150	0.019	0.057
1800	16×40	3710	0.016	0.048	
1800	18×31.5	3635	0.021	0.057	
2200	18×35.5	3680	0.017	0.046	
2700	18×40	3800	0.014	0.038	

**◆ STANDARD SIZE**

Rated Voltage (V·DC)	Rated capacitance (μF)	Size φ D×L(mm)	Rated ripple current (mA r.m.s./105°C, 100kHz)	Impedance(Ω MAX)	
				20°C, 100kHz	-10°C, 100kHz
63 (1J)	15	5×11	62	1.8	7.3
	33	6.3×11	126	1.0	4.1
	56	8×11.5	260	0.50	2.2
	82	8×16	335	0.36	1.7
	82	10×12.5	325	0.34	1.4
	120	8×20	408	0.26	1.3
	120	10×16	400	0.25	1.2
	180	10×20	518	0.17	0.76
	180	12.5×16	527	0.18	0.86
	220	10×23	595	0.16	0.67
	270	10×28	740	0.12	0.57
	270	12.5×20	765	0.13	0.52
	270	16×16	895	0.11	0.52
	330	12.5×25	875	0.096	0.36
	390	18×16	1030	0.096	0.40
	470	12.5×30	1010	0.080	0.34
	470	16×20	1130	0.077	0.32
	560	12.5×35	1140	0.070	0.30
	560	16×25	1350	0.062	0.23
	680	12.5×40	1280	0.060	0.25
	680	18×20	1300	0.072	0.27
	820	16×31.5	1650	0.049	0.18
	820	18×25	1560	0.052	0.19
1000	16×35.5	1900	0.040	0.15	
1000	18×31.5	1720	0.042	0.15	
1200	16×40	2130	0.036	0.13	
1200	18×35.5	1890	0.036	0.13	
1500	18×40	2470	0.032	0.12	
100 (2A)	6.8	5×11	62	1.8	7.3
	15	6.3×11	126	1.0	4.1
	27	8×11.5	260	0.50	2.2
	39	8×16	335	0.36	1.7
	47	10×12.5	325	0.34	1.4
	56	8×20	408	0.26	1.3
	68	10×16	400	0.25	1.2
	82	10×20	518	0.17	0.76
	82	12.5×16	527	0.18	0.86
	100	10×23	595	0.16	0.67
	120	10×28	740	0.12	0.57
	120	12.5×20	765	0.13	0.52
	150	16×16	895	0.11	0.52
	180	12.5×25	875	0.096	0.36
	180	18×16	1030	0.096	0.40
	220	12.5×30	1010	0.080	0.34
	220	16×20	1130	0.077	0.32
	270	12.5×35	1140	0.070	0.30
	270	16×25	1350	0.062	0.23
	330	12.5×40	1280	0.060	0.25
	330	18×20	1300	0.072	0.27
	390	16×31.5	1650	0.049	0.18
	390	18×25	1560	0.052	0.19
	470	16×35.5	1900	0.040	0.15
	470	18×31.5	1720	0.042	0.15
	560	16×40	2130	0.036	0.13
	680	18×35.5	1890	0.036	0.13
820	18×40	2470	0.032	0.12	