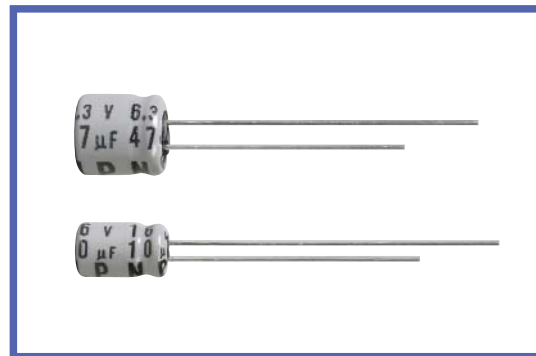


**NW7 SERIES**
**Bi-polar, 7mm Height**
**◆ FEATURES**

- RoHS compliance.


**◆ SPECIFICATIONS**

Items	Characteristics																					
Category Temperature Range	-40 ~ +85°C																					
Rated Voltage Range	6.3~50V.DC																					
Capacitance Tolerance	±20%(20°C, 120Hz)																					
Leakage Current(MAX)	I=0.05CV or 10 μA whichever is greater. (After 5 minutes application of rated voltage) I=Leakage Current(μA)    C=Rated Capacitance(μF)    V=Rated Voltage(V)																					
Dissipation Factor(MAX) (tanδ)	<table border="1"> <thead> <tr> <th>Rated Voltage (V)</th> <th>6.3</th> <th>10</th> <th>16</th> <th>25</th> <th>35</th> <th>50</th> </tr> </thead> <tbody> <tr> <td>tanδ</td> <td>0.26</td> <td>0.22</td> <td>0.18</td> <td>0.17</td> <td>0.15</td> <td>0.14</td> </tr> </tbody> </table> (20°C, 120Hz)	Rated Voltage (V)	6.3	10	16	25	35	50	tanδ	0.26	0.22	0.18	0.17	0.15	0.14							
Rated Voltage (V)	6.3	10	16	25	35	50																
tanδ	0.26	0.22	0.18	0.17	0.15	0.14																
Endurance	After applying rated voltage with rated ripple current for 1000hrs at 85°C, (The polarity shall be reversed every 500hrs.), the capacitors shall meet the following requirements. <table border="1"> <tbody> <tr> <td>Capacitance Change</td> <td>Within ±25% of the initial value.</td> </tr> <tr> <td>Dissipation Factor</td> <td>Not more than 200% of the specified value.</td> </tr> <tr> <td>Leakage Current</td> <td>Not more than the specified value.</td> </tr> </tbody> </table>	Capacitance Change	Within ±25% of the initial value.	Dissipation Factor	Not more than 200% of the specified value.	Leakage Current	Not more than the specified value.															
Capacitance Change	Within ±25% of the initial value.																					
Dissipation Factor	Not more than 200% of the specified value.																					
Leakage Current	Not more than the specified value.																					
Low Temperature Stability Impedance Ratio(MAX)	<table border="1"> <thead> <tr> <th>Rated Voltage (V)</th> <th>6.3</th> <th>10</th> <th>16</th> <th>25</th> <th>35</th> <th>50</th> </tr> </thead> <tbody> <tr> <td>Z(-25°C)/Z(20°C)</td> <td>4</td> <td>3</td> <td>3</td> <td>2</td> <td>2</td> <td>2</td> </tr> <tr> <td>Z(-40°C)/Z(20°C)</td> <td>10</td> <td>8</td> <td>6</td> <td>4</td> <td>4</td> <td>4</td> </tr> </tbody> </table> (120Hz)	Rated Voltage (V)	6.3	10	16	25	35	50	Z(-25°C)/Z(20°C)	4	3	3	2	2	2	Z(-40°C)/Z(20°C)	10	8	6	4	4	4
Rated Voltage (V)	6.3	10	16	25	35	50																
Z(-25°C)/Z(20°C)	4	3	3	2	2	2																
Z(-40°C)/Z(20°C)	10	8	6	4	4	4																

**◆ MULTIPLIER FOR RIPPLE CURRENT**

Frequency coefficient

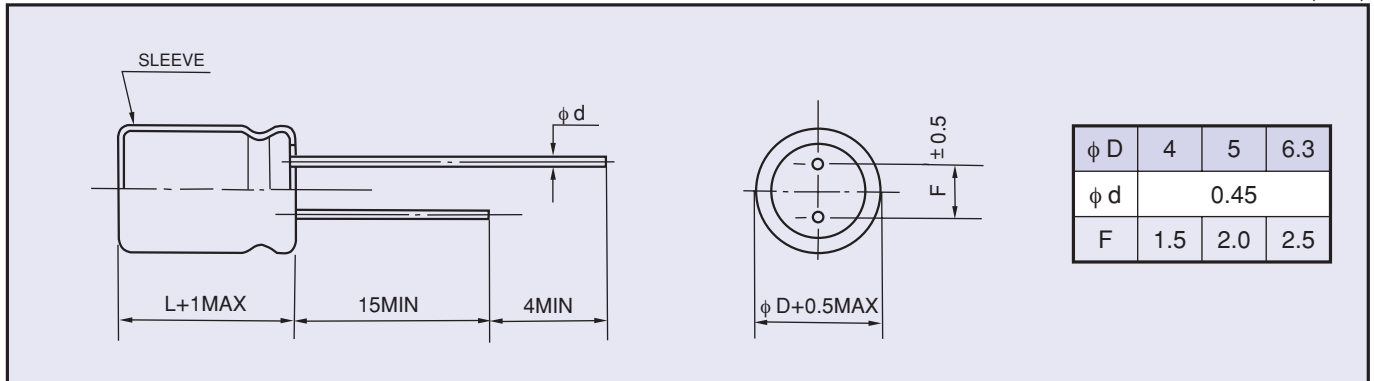
Frequency (Hz)		60(50)	120	500	1k	10k≤
Coefficient	0.1~1μF	0.50	1.00	1.20	1.30	1.50
	2.2~4.7μF	0.65	1.00	1.20	1.30	1.50
	10~47μF	0.80	1.00	1.20	1.30	1.50

**◆ PART NUMBER**

□□□	NW7	□□□□□	□	□□□	□□	D×L
Rated Voltage	Series	Rated Capacitance	Capacitance Tolerance	Option	Lead Forming	Case Size

◆ DIMENSIONS

(mm)



◆ STANDARD SIZE

Size  $\phi D \times L$ (mm), Ripple Current (mA r.m.s./85°C, 120Hz)

Cap( $\mu F$ )	WV (V.DC)	6.3 (0J)		10 (1A)		16 (1C)		25 (1E)		35 (1V)		50 (1H)	
		Size	Ripple	Size	Ripple	Size	Ripple	Size	Ripple	Size	Ripple	Size	Ripple
0.1												4x7	1
0.22												4x7	2
0.33												4x7	3
0.47												4x7	5
1												4x7	10
2.2										4x7	13	5x7	15
3.3								4x7	15	5x7	19	5x7	19
4.7						4x7	18	4x7	18	5x7	22	6.3x7	26
10				4x7	23	4x7	25	6.3x7	35	6.3x7	37		
22		5x7	32	5x7	35	6.3x7	45	6.3x7	50				
33		5x7	40	6.3x7	45	6.3x7	60						
47		6.3x7	56	6.3x7	65	6.3x7	65						