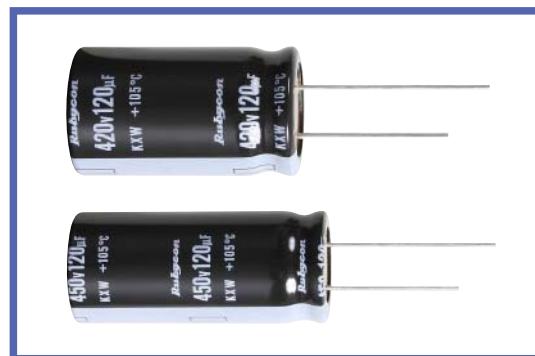


KXW SERIES
◆ FEATURES

- Load Life : 105°C 2000 hours.
- Body diameter of φ 10mm to φ 18mm with high ripple current capability.
- This series is one class smaller than the current AXW series.
- For switching adapter.
- RoHS compliance.


◆ SPECIFICATIONS

Items	Characteristics										
Category Temperature Range	-25 ~ +105°C										
Rated Voltage Range	200, 400, 420, 450V.DC										
Capacitance Tolerance	± 20%(20°C, 120Hz)										
Leakage Current(MAX)	$I=3\sqrt{CV}$ (After 5 minutes application of rated voltage) I =Leakage Current(μA) C =Rated Capacitance(μF) V =Rated Voltage(V)										
Dissipation Factor(MAX) (tanδ)	<table border="1"> <thead> <tr> <th>Rated Voltage (V)</th> <th>200</th> <th>400</th> <th>420~450</th> <th>(20°C, 120Hz)</th> </tr> </thead> <tbody> <tr> <td>tanδ</td> <td>0.12</td> <td>0.15</td> <td>0.20</td> <td></td> </tr> </tbody> </table>	Rated Voltage (V)	200	400	420~450	(20°C, 120Hz)	tanδ	0.12	0.15	0.20	
Rated Voltage (V)	200	400	420~450	(20°C, 120Hz)							
tanδ	0.12	0.15	0.20								
Endurance	After applying rated voltage with rated ripple current for 2000hrs at 105°C, the capacitors shall meet the following requirements. <table border="1"> <tbody> <tr> <td>Capacitance Change</td> <td>Within ± 20% of the initial value.</td> </tr> <tr> <td>Dissipation Factor</td> <td>Not more than 200% of the specified value.</td> </tr> <tr> <td>Leakage Current</td> <td>Not more than the specified value.</td> </tr> </tbody> </table>	Capacitance Change	Within ± 20% of the initial value.	Dissipation Factor	Not more than 200% of the specified value.	Leakage Current	Not more than the specified value.				
Capacitance Change	Within ± 20% of the initial value.										
Dissipation Factor	Not more than 200% of the specified value.										
Leakage Current	Not more than the specified value.										
Impedance Ratio(MAX)	<table border="1"> <thead> <tr> <th>Rated Voltage (V)</th> <th>200</th> <th>400~450</th> <th>(120Hz)</th> </tr> </thead> <tbody> <tr> <td>Z(-25°C)/Z(20°C)</td> <td>3</td> <td>8</td> <td></td> </tr> </tbody> </table>	Rated Voltage (V)	200	400~450	(120Hz)	Z(-25°C)/Z(20°C)	3	8			
Rated Voltage (V)	200	400~450	(120Hz)								
Z(-25°C)/Z(20°C)	3	8									

◆ MULTIPLIER FOR RIPPLE CURRENT

Frequency coefficient

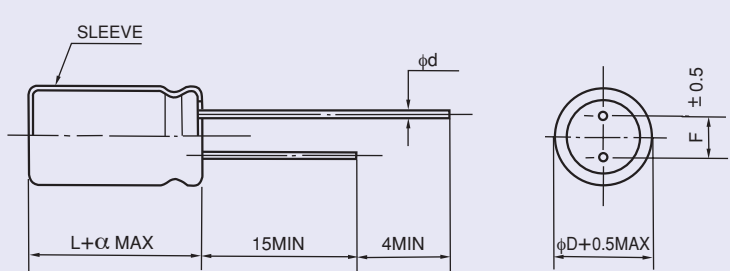
Frequency (Hz)		60(50)	120	500	1k	10k≤
Coefficient	200WV	0.8	1.0	1.20	1.30	1.40
	400~450WV	0.8	1.0	1.25	1.40	1.50

◆ PART NUMBER

□□□	KXW	□□□□□	□	□□□	□□	D×L
Rated Voltage	Series	Rated Capacitance	Capacitance Tolerance	Option	Lead Forming	Case Size

◆ **DIMENSIONS**

(mm)



φ D	10	12.5	14.5	16	18
φ d	0.6		0.8		
F	5.0		7.5		
α	2.0				

◆ **STANDARD SIZE**

Cap(μF) \ WV	φ D	200					400				
		φ 10	φ 12.5	φ 14.5	φ 16	φ 18	φ 10	φ 12.5	φ 14.5	φ 16	φ 18
27							10×30 : 0.24				
33							10×35 : 0.28				
39							10×40 : 0.32				
47								12.5×30 : 0.37			
56								12.5×35 : 0.42			
68								12.5×40 : 0.48	14.5×30 : 0.48		
82	10×30 : 0.40								14.5×35 : 0.52		
100	10×35 : 0.46								14.5×40 : 0.58	16×30 : 0.58	
120	10×40 : 0.53									16×35 : 0.67	18×30 : 0.67
150		12.5×30 : 0.62								16×40 : 0.77	18×35 : 0.77
180		12.5×35 : 0.70									18×40 : 0.88
220		12.5×40 : 0.80	14.5×30 : 0.80								18×45 : 1.00
270			14.5×35 : 0.87	16×30 : 0.87							
330				16×35 : 1.01	18×30 : 1.01						
390				16×40 : 1.13	18×35 : 1.13						
470					18×40 : 1.27						
560					18×45 : 1.39						

Cap(μF) \ WV	φ D	420					450				
		φ 10	φ 12.5	φ 14.5	φ 16	φ 18	φ 10	φ 12.5	φ 14.5	φ 16	φ 18
18							10×30 : 0.18				
22	10×30 : 0.20						10×35 : 0.21				
27	10×35 : 0.23						10×40 : 0.25				
33	10×40 : 0.27							12.5×30 : 0.28			
39		12.5×30 : 0.31						12.5×35 : 0.32			
47		12.5×35 : 0.36						12.5×40 : 0.38	14.5×30 : 0.38		
56		12.5×40 : 0.43	14.5×30 : 0.43						14.5×35 : 0.44	16×30 : 0.44	
68			14.5×35 : 0.51	16×30 : 0.51					14.5×40 : 0.49	16×35 : 0.49	
82			14.5×40 : 0.57	16×35 : 0.57						16×40 : 0.55	18×30 : 0.55
100				16×40 : 0.61	18×30 : 0.61						18×35 : 0.65
120					18×35 : 0.66						18×40 : 0.74
150					18×40 : 0.71						18×45 : 0.80

Please check with us about individual WV, Cap., size and dimensions.

Size φ D×L(mm) ↑
Ripple Current (A r.m.s./120Hz, 105°C) ↑