

VXH SERIES
NEW
105°C 5000hour Ultra Miniaturized, Snap-in Terminal Type
◆ FEATURES

- Load Life : 105°C 5000 hours.
- Smaller size than VXG series.
- RoHS compliance.


◆ SPECIFICATIONS

Items	Characteristics								
Category Temperature Range	-25 ~ +105°C								
Rated Voltage Range	200~450V.DC								
Capacitance Tolerance	± 20%(20°C, 120Hz)								
Leakage Current(MAX)	$I=3\sqrt{CV}$ (After 5 minutes application of rated voltage) I=Leakage Current(µA) V=Rated Voltage(V) C=Rated Capacitance(µF)								
Dissipation Factor(MAX) (tanδ)	<table border="1"> <tr> <td>Rated Voltage(V)</td> <td>200~450</td> <td>(20°C, 120Hz)</td> </tr> <tr> <td>tanδ</td> <td>0.20</td> <td></td> </tr> </table>	Rated Voltage(V)	200~450	(20°C, 120Hz)	tanδ	0.20			
Rated Voltage(V)	200~450	(20°C, 120Hz)							
tanδ	0.20								
Impedance Ratio(MAX)	<table border="1"> <tr> <td>Rated Voltage(V)</td> <td>200~250</td> <td>400~450</td> <td>(120Hz)</td> </tr> <tr> <td>Z(-25°C)/Z(20°C)</td> <td>3</td> <td>8</td> <td></td> </tr> </table>	Rated Voltage(V)	200~250	400~450	(120Hz)	Z(-25°C)/Z(20°C)	3	8	
Rated Voltage(V)	200~250	400~450	(120Hz)						
Z(-25°C)/Z(20°C)	3	8							
Endurance	After applying rated voltage with rated ripple current for 5000 hrs at 105°C, the capacitors shall meet the following requirements. <table border="1"> <tr> <td>Capacitance Change</td> <td>Within ±20% of the initial value.</td> </tr> <tr> <td>Dissipation Factor</td> <td>Not more than 200% of the specified value.</td> </tr> <tr> <td>Leakage Current</td> <td>Not more than the specified value.</td> </tr> </table>	Capacitance Change	Within ±20% of the initial value.	Dissipation Factor	Not more than 200% of the specified value.	Leakage Current	Not more than the specified value.		
Capacitance Change	Within ±20% of the initial value.								
Dissipation Factor	Not more than 200% of the specified value.								
Leakage Current	Not more than the specified value.								

◆ MULTIPLIER FOR RIPPLE CURRENT

Frequency coefficient

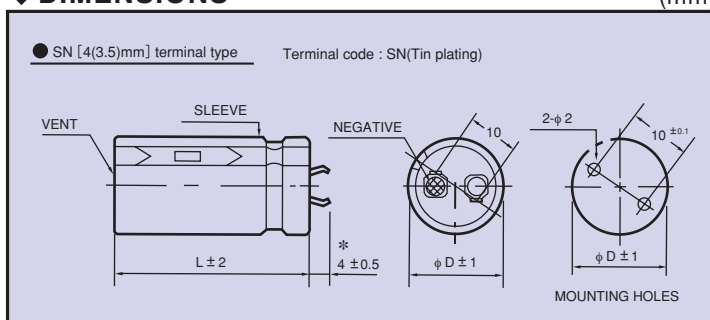
Frequency(Hz)		60	120	500	1k	10k ≤
Coefficient	200~250WV	0.80	1.00	1.20	1.30	1.50
	400~450WV	0.80	1.00	1.20	1.25	1.40

◆ PART NUMBER

<input type="text"/>	<input type="text"/>	<input type="text"/>	<input type="text"/>	<input type="text"/>	<input type="text"/>	<input type="text"/>
Rated Voltage	Series	Rated Capacitance	Capacitance Tolerance	Option	Terminal Code	Case Size

◆ DIMENSIONS

(mm)





◆ STANDARD SIZE

Cap(μF)	WV φ D	200				220			
		φ 22	φ 25	φ 30	φ 35	φ 22	φ 25	φ 30	φ 35
270						22×25 1.04			
330	22×25 1.31					22×30 1.26			
390	22×30 1.32					22×30 1.47	25×25 1.21		
470	22×30 1.54	25×25 1.54				22×35 1.64	25×30 1.47		
560	22×35 1.75	25×30 1.75				22×40 1.86	25×30 1.71	30×25 1.41	
680	22×40 1.96	25×35 1.79	30×25 1.46			22×45 2.05	25×35 1.94	30×30 1.71	
820	22×50 2.15	25×40 2.03	30×30 1.77	35×25 1.59			25×40 2.16	30×30 1.99	35×25 1.89
1000		25×45 2.26	30×35 2.06	35×30 1.93			25×45 2.37	30×35 2.26	35×30 2.15
1200		25×50 2.34	30×40 2.34	35×30 2.22				30×40 2.51	35×35 2.48
1500			30×45 2.60	35×35 2.56				30×50 2.75	35×40 2.50
1800			30×50 2.85	35×40 2.85					35×50 3.04
2200				35×50 3.14					

Cap(μF)	WV φ D	250				400			
		φ 22	φ 25	φ 30	φ 35	φ 22	φ 25	φ 30	φ 35
120						22×25 0.79			
150						22×30 0.92	25×25 0.95		
180						22×35 1.05	25×30 1.10		
220						22×40 1.28	25×30 1.12	30×25 1.17	
270	22×25 1.18					22×45 1.40	25×35 1.40	30×30 1.36	
330	22×30 1.37	25×25 1.14					25×40 1.55	30×30 1.55	35×25 1.35
390	22×35 1.56	25×30 1.38					25×50 1.72	30×35 1.72	35×30 1.53
470	22×40 1.74	25×30 1.61						30×40 1.89	35×35 1.78
560	22×45 1.92	25×35 1.83	30×25 1.63					30×45 1.98	35×40 1.98
680	22×50 2.04	25×40 2.04	30×30 1.90	35×25 1.80					35×45 2.19
820		25×45 2.24	30×35 2.15	35×30 1.81					35×50 2.42
1000			30×40 2.39	35×35 2.38					
1200			30×45 2.62	35×40 2.39					
1500				35×45 2.92					
1800				35×50 3.04					

Cap(μF)	WV φ D	420				450			
		φ 22	φ 25	φ 30	φ 35	φ 22	φ 25	φ 30	φ 35
100	22×25 0.74					22×25 0.73			
120	22×30 0.86					22×30 0.84	25×25 0.87		
150	22×35 0.98	25×25 0.90				22×35 0.97	25×30 0.89		
180	22×40 1.09	25×30 1.05				22×40 1.08	25×30 1.03	30×25 1.08	
220	22×45 1.21	25×35 1.19	30×25 1.12			22×45 1.17	25×35 1.17	30×30 1.10	35×25 1.04
270	22×50 1.34	25×40 1.34	30×30 1.30	35×25 1.27			25×45 1.43	30×30 1.28	35×30 1.25
330		25×45 1.47	30×35 1.47	35×30 1.45			25×50 1.45	30×40 1.45	35×30 1.43
390			30×40 1.64	35×35 1.68				30×45 1.75	35×35 1.66
470			30×45 1.81	35×35 1.71				30×50 1.85	35×40 1.85
560			30×50 2.07	35×40 2.07					35×45 2.04
680				35×50 2.43					

↑ Ripple Current (A r.m.s./120Hz, 105°C)
 ↑ Case Size φ D×L(mm)