

KXF SERIES
105°C Low profile, Snap-in Terminal Type
◆ FEATURES

- Load Life : 105°C 3000 hours, with 20mm height.
- Smaller size with higher ripple current endurance than AXF series.
- RoHS compliance.


◆ SPECIFICATIONS

Items	Characteristics						
Category Temperature Range	-25~+105°C						
Rated Voltage Range	160~450V.DC						
Capacitance Tolerance	±20%(20°C,120Hz)						
Leakage Current(MAX)	$I = 3\sqrt{CV}$ (After 5 minutes application of rated voltage) $I = (\mu A)$ Leakage Current $V = (V)$ Rated Voltage $C = (\mu F)$ Rated Capacitance						
Dissipation Factor(MAX) (tanδ)	0.20(20°C,120Hz)						
Impedance Ratio(MAX)	<table border="1"> <thead> <tr> <th>Rated Voltage (V)</th> <th>160~250</th> <th>400~450</th> </tr> </thead> <tbody> <tr> <td>$Z(-25^{\circ}C)/Z(20^{\circ}C)$</td> <td>3</td> <td>8</td> </tr> </tbody> </table> (120Hz)	Rated Voltage (V)	160~250	400~450	$Z(-25^{\circ}C)/Z(20^{\circ}C)$	3	8
Rated Voltage (V)	160~250	400~450					
$Z(-25^{\circ}C)/Z(20^{\circ}C)$	3	8					
Endurance	After applying rated voltage with rated ripple current for 3000hrs at 105°C, the capacitors shall meet the following requirements. <table border="1"> <tbody> <tr> <td>Capacitance Change</td> <td>Within ±20% of the initial value.</td> </tr> <tr> <td>Dissipation Factor</td> <td>Not more than 200% of the specified value.</td> </tr> <tr> <td>Leakage Current</td> <td>Not more than the specified value.</td> </tr> </tbody> </table>	Capacitance Change	Within ±20% of the initial value.	Dissipation Factor	Not more than 200% of the specified value.	Leakage Current	Not more than the specified value.
Capacitance Change	Within ±20% of the initial value.						
Dissipation Factor	Not more than 200% of the specified value.						
Leakage Current	Not more than the specified value.						

◆ MULTIPLIER FOR RIPPLE CURRENT

Frequency coefficient

(Hz) Frequency		60(50)	120	500	1k	10k ≤
Coefficient	160~250WV	0.80	1.00	1.20	1.30	1.50
	400~450WV	0.80	1.00	1.20	1.25	1.40

◆ PART NUMBER

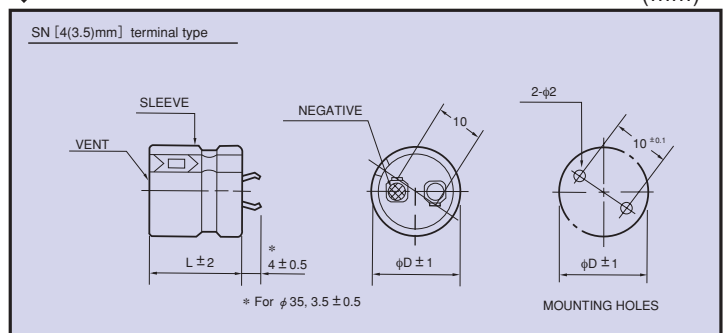
□□□	KXF	□□□□□	□	□□□	SN	D×L
Rated Voltage	Series	Rated Capacitance	Capacitance Tolerance	Option	Terminal Code	Case Size

◆ Option

	Code
PET Sleeve without plate	EFC
PVC Sleeve without plate	OOE
PVC Sleeve with plate	Blank

◆ DIMENSIONS

(mm)



◆ STANDARD SIZE

Cap(μF)	WV	160		180		200		220		250	
		φ	L	φ	L	φ	L	φ	L	φ	L
120										20×20	0.65
150								20×20	0.70	22×20	0.74
180				20×20	0.80	20×20	0.80	22×20	0.80	22×20	0.77
220		20×20	0.81	22×20	0.90	22×20	0.87	25×20	0.85	25×20	0.95
270		22×20	0.98	22×20	0.95	25×20	0.95	25×20	1.02	30×20	1.00
330		25×20	1.02	25×20	1.15	25×20	1.15	30×20	1.12	30×20	1.16
390		25×20	1.25	25×20	1.20	30×20	1.20	30×20	1.25	35×20	1.25
470		30×20	1.30	30×20	1.36	30×20	1.41	35×20	1.45		
560		30×20	1.46	30×20	1.43	35×20	1.43				
680		35×20	1.51	35×20	1.51						
820		35×20	1.55								

Cap(μF)	WV	400		420		450	
		φ	L	φ	L	φ	L
39						20×20	0.36
47		20×20	0.39	20×20	0.38	20×20	0.41
56		20×20	0.40	22×20	0.45	22×20	0.43
68		22×20	0.49	22×20	0.48	25×20	0.50
82		25×20	0.55	25×20	0.53	25×20	0.53
100		25×20	0.60	30×20	0.58	30×20	0.61
120		30×20	0.75	30×20	0.70	30×20	0.70
150		30×20	0.80	35×20	0.80	35×20	0.80
180		35×20	0.85				

↑ Ripple Current (A r.m.s./120Hz, 105°C)
 ↑ Case Size φ D×L(mm)