

SXC SERIES
**105°C, Overvoltage Vent Operation Facility,
Snap-in Terminal Type**
◆ FEATURES

- Load Life : 105°C 2000 hours.
- This series has specification of vent operation in overvoltage situation. Please consult us for any further details.
- RoHS compliance.


◆ SPECIFICATIONS

Items	Characteristics						
Category Temperature Range	-25 ~ +105°C						
Rated Voltage Range	200, 400V.DC						
Capacitance Tolerance	± 20%(20°C, 120Hz)						
Leakage Current(MAX)	$I=3\sqrt{CV}$ (After 5 minutes application of rated voltage) I =Leakage Current(µA) V =Rated Voltage(V) C =Rated Capacitance(µF)						
Dissipation Factor(MAX) (tanδ)	0.15(20°C, 120Hz)						
Impedance Ratio(MAX)	<table border="1"> <tr> <td>Rated Voltage(V)</td> <td>200</td> <td>400</td> </tr> <tr> <td>Z(-25°C)/Z(20°C)</td> <td>3</td> <td>8</td> </tr> </table> (120Hz)	Rated Voltage(V)	200	400	Z(-25°C)/Z(20°C)	3	8
Rated Voltage(V)	200	400					
Z(-25°C)/Z(20°C)	3	8					
Endurance	After applying rated voltage with rated ripple current for 2000hrs at 105°C, the capacitors shall meet the following requirements. <table border="1"> <tr> <td>Capacitance Change</td> <td>Within ± 20% of the initial value.</td> </tr> <tr> <td>Dissipation Factor</td> <td>Not more than 200% of the specified value.</td> </tr> <tr> <td>Leakage Current</td> <td>Not more than the specified value.</td> </tr> </table>	Capacitance Change	Within ± 20% of the initial value.	Dissipation Factor	Not more than 200% of the specified value.	Leakage Current	Not more than the specified value.
Capacitance Change	Within ± 20% of the initial value.						
Dissipation Factor	Not more than 200% of the specified value.						
Leakage Current	Not more than the specified value.						

◆ MULTIPLIER FOR RIPPLE CURRENT

Frequency coefficient

(Hz)Frequency	60(50)	120	500	1k	10k ≦	
Coefficient	200WV	0.80	1.00	1.10	1.14	1.18
	400WV	0.80	1.00	1.05	1.10	1.15

◆ PART NUMBER

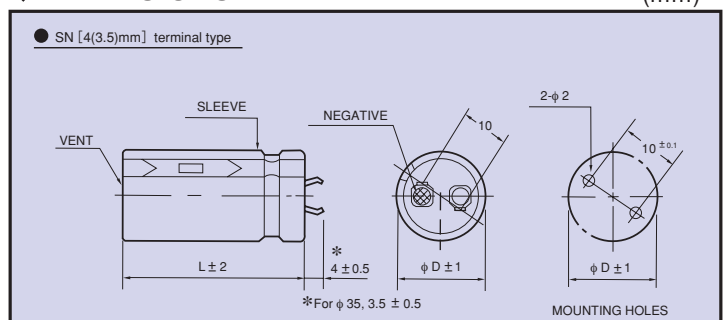
□□□	SXC	□□□□□	□	□□□	SN	DXL
Rated Voltage	Series	Rated Capacitance	Capacitance Tolerance	Option	Terminal Code	Case Size

◆ Option

	Code
PET Sleeve without plate	EFC
PVC Sleeve without plate	OOE
PVC Sleeve with plate	Blank

◆ DIMENSIONS

(mm)



◆ STANDARD SIZE

Cap(μF)	WV		200									
	φ D		φ 20		φ 22		φ 25		φ 30		φ 35	
82			20×20	0.42								
100			20×20	0.47	22×20	0.51						
120			20×20	0.52	22×20	0.56						
150			20×25	0.69	22×25	0.69	25×20	0.63				
180			20×25	0.75	22×25	0.75	25×20	0.70				
220			20×30	0.87	22×25	0.88	25×25	0.88	30×20	0.85		
270			20×35	1.00	22×25	0.99	25×25	0.99	30×20	0.95		
330			20×40	1.20	22×30	1.20	25×25	1.20	30×20 30×25	1.05 1.20	35×20	1.08
390					22×35	1.30	25×30	1.34	30×25	1.30	35×20	1.15
470					22×40	1.44	25×30	1.44	30×25	1.48	35×25	1.48
560					22×45	1.60	25×35	1.60	30×30	1.60	35×25	1.58
680							25×40	1.76	30×30	1.74	35×25	1.74
820									30×35	2.11	35×30	2.10
1000									30×45	2.40	35×30 35×35	2.30 2.30
1200											35×35 35×40	2.65 2.65
1500											35×45	3.08

Cap(μF)	WV		400									
	φ D		φ 20		φ 22		φ 25		φ 30		φ 35	
22			20×20	0.20								
27			20×20	0.22	22×20	0.23						
33			20×20	0.25	22×20	0.25						
39			20×25	0.35	22×20	0.28	25×20	0.30				
47			20×25	0.39	22×25	0.39	25×20	0.34				
56			20×30	0.44	22×25	0.45	25×20 25×25	0.39 0.45	30×20	0.41		
68			20×35	0.51	22×25	0.49	25×25	0.49	30×20	0.45		
82			20×40	0.57	22×30	0.56	25×25	0.56	30×20 30×25	0.50 0.56	35×20	0.51
100					22×35	0.62	25×30	0.61	30×25	0.59	35×20	0.54
120					22×40	0.73	25×30	0.73	30×25	0.73	35×20	0.61
150					22×45	0.85	25×35	0.85	30×30	0.79	35×25	0.78
180							25×40	0.94	30×30	0.95	35×25	0.95
220							25×45	1.07	30×35	1.24	35×30	1.24
270									30×35 30×40	1.35 1.30	35×35	1.28
330									30×45	1.47	35×35	1.41
390											35×40	1.59
470											35×45	1.87

↑ Ripple Current (A r.m.s./120Hz, 105°C)
 ↑ Case Size φ D×L(mm)